

1

2

3

4

5

6

7

8

A

B

C

D

E

F

A

B

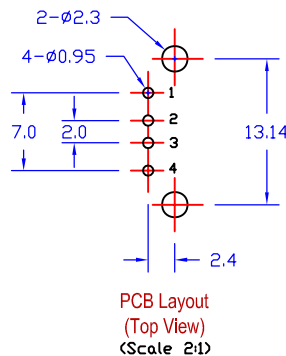
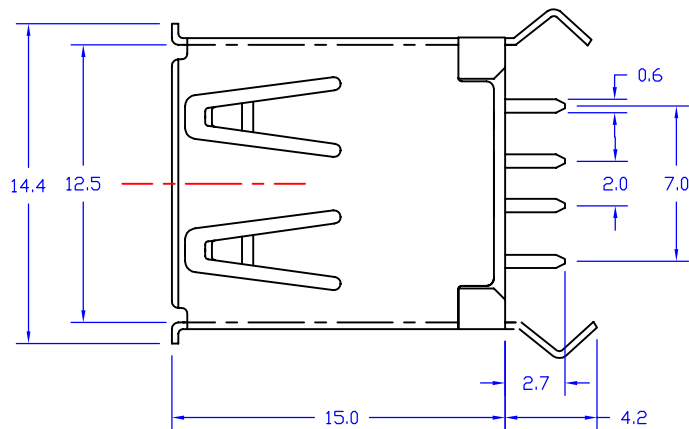
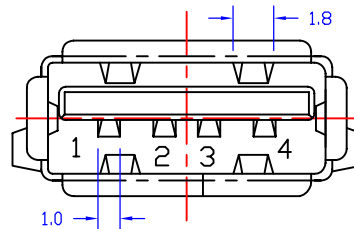
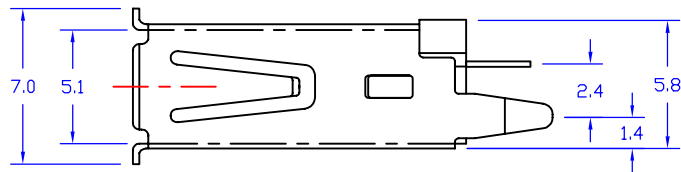
C

D

E

F

Rev.	Description	Date	Drawn by	Checked by	Approved by
A	New Drawing	2006/01/02	Michael	Gavin	Stephen



NOTE:

Material and Finish:

- 1. Housing: PBT (UL94V-0), Black.
- 2. Terminal: Phosphor Bronze, Gold Plating on Contact Area, Tin Plating on Solder Tail.
- 3. Shield: Brass, Nickel Plating.

Electrical Characteristics:

- 1. Current Rating: 1.5 Amp. Max..
- 2. Dielectric Withstand Voltage: 750V AC RMS for 60Seconds.
- 3. Insulation Resistance: 1000M Ohms Min. at 500V DC.
- 4. Contact Resistance: 50m Ohms Max..

Mechanical Characteristics:

- 1. Operating Temperature: -55°C ~ +105°C
- 2. Contact Us for Customization.

Table 1

Part No.	Dimensions			
	Pos.	A	B	C
H=15.0mm AEUBCV03B-004F	4			

Tolerance	
0.0	±0.20
0.00	±0.10
0.000	±0.05

Drawn By
Michael

Checked By
Gavin

Approved By
Stephen

AECONN

**USB A Type(2.0), DIP Vertical,
4P, Metal Shield, Female**

AECONN Technology Corp.

RoHS Compliant

Drawing No. UB003-S-01
Page 1/1

1

2

3

4

5

6

7

8